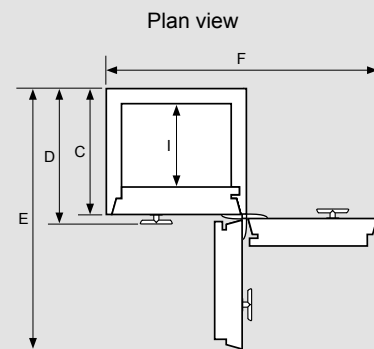
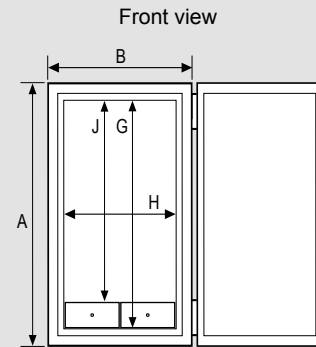


Chubb safes

Oxley Mark III Series - Data Sheet

Technical Data					
External Dimensions (mm)	Size 1	Size 2	Size 3	Size 4	Size 5
A Height	628	718	1018	1208	1468
B Width	528	668	668	668	668
C Depth	603	663	663	773	773
D Depth including door furniture	658	718	718	828	828
E Depth with door at 90°	1077	1277	1277	1387	1387
F Width when door is fully open	952	1232	1232	1232	1232
Internal Dimensions (mm)					
G Height	460	550	850	1040	1300
H Width	360	500	500	500	500
I Depth	360	420	420	530	530
J Height excluding drawer	340	390	690	880	1140
Shipping Particulars					
Net Weight (kg)	370	520	665	910	1075
Gross Weight (kg)	415	580	735	990	1175
m ³	0.422	0.580	0.787	1.035	1.227
Case Height (mm)	810	910	1220	1400	1660
Case Width (mm)	660	750	750	770	770
Case Depth (mm)	790	850	850	960	960
Fittings & Features					
No of Adjustable Shelves	1	2	2	2	2
No of Half Drawers	0	1	1	1	1
No of Full Drawers	1	0	0	0	0
No of Bolt Holes	1	1	1	1	1
Capacity (litres)	60	116	179	276	345

Drawings

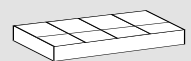
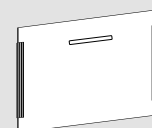
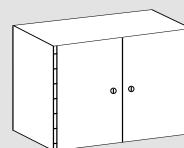
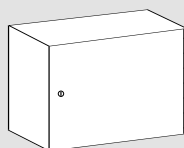


Drawings are not to scale

Features



Accessories



Items here are merely representative of a wider range of optional accessories suitable to be used with this product. For details contact one of our Sales Representatives or any Authorised Dealer.